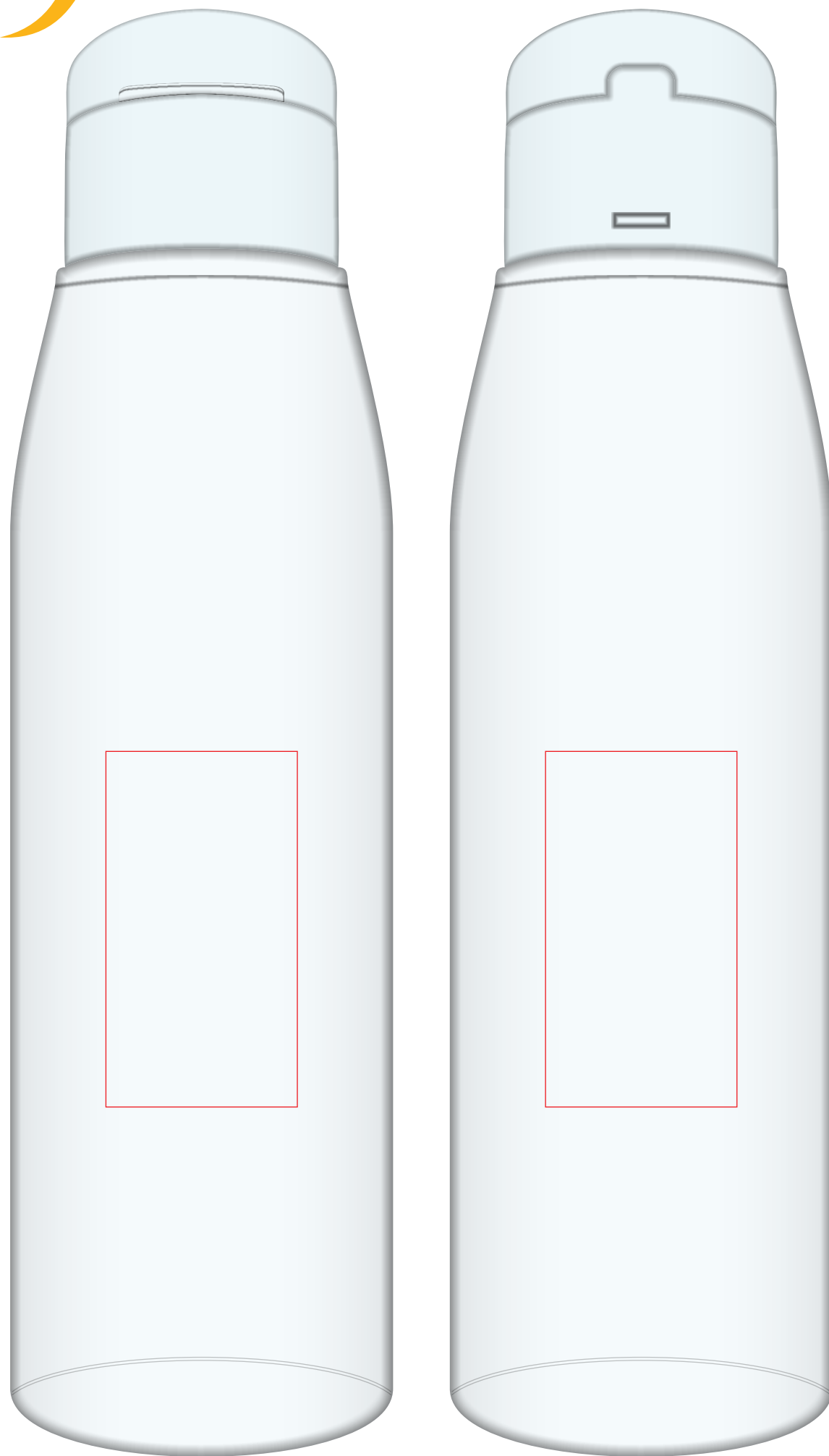




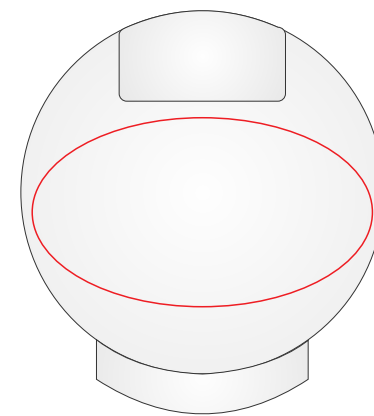
LUMOSS
MOULDINGS

**ARCTIC H2O 750ML WATER BOTTLE
PAD PRINTING – BRANDING GUIDE**

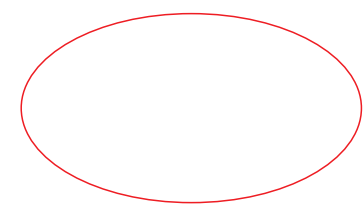


Front

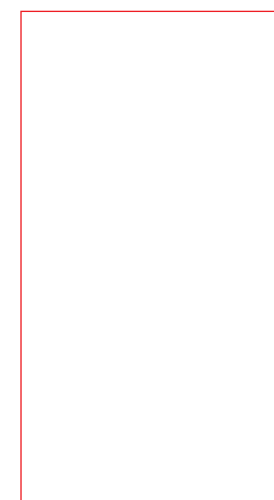
Back



Top of lid



(w)45mm x (h)25mm



(w)35mm x (h)65mm

File Formats in CMYK - Print Friendly

EPS/Ai/Cdr - EPS, Ai and Cdr files are generic vector files that can be opened in vector software like Adobe Illustrator and Corel Draw.
PDF - Can be opened and viewed without vector software but still preserve editable elements.

Additional Information

This Product & Print is limited to - **5 Colours**
Redraw Fees will apply if Print Ready files are not supplied
Please provide artwork pantone colours (Excluding Black & White)